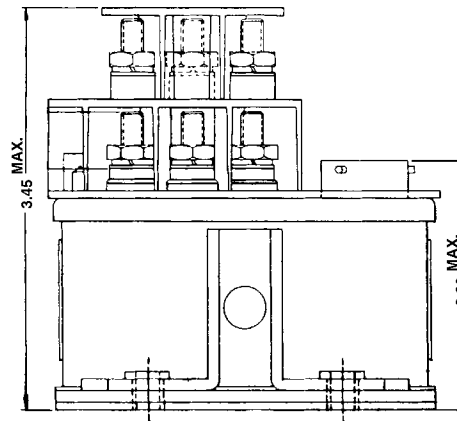
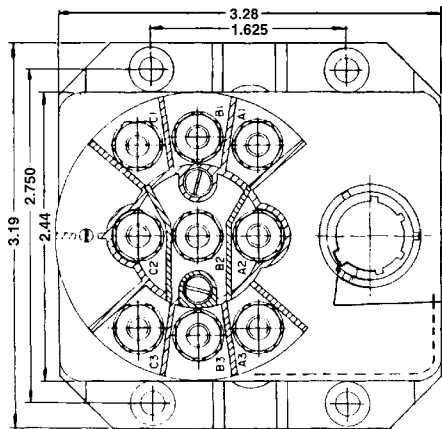


**DH-7ZAB 3PDT, 50 Amps,
115/200 VAC, 400 Hz**

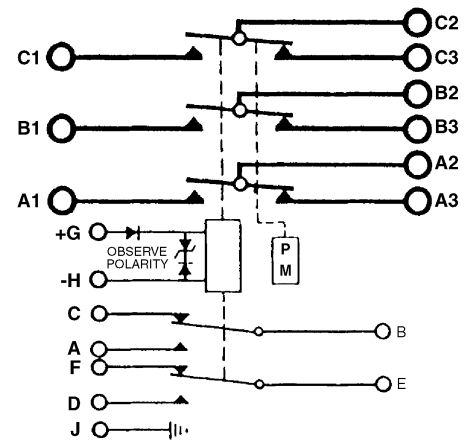
Features:

- 3PDT Main Contacts
- Transient Suppression
- Mechanically Interlocked
- Hermetically Sealed
- 115/200 VAC, 400 Hz
- 50 Amps
- High Reliability
- Meets many requirements of MIL-R-6106



Dimensions for this product are expressed in inches. Multiply values by 25.4 for millimeters.

CONTACTOR CONFIGURATION



Notes:

PRODUCT SPECIFICATIONS	
Construction	Hermetically Sealed
Main Contacts:	
Configuration	3PDT
Voltage (Nominal)	115/220 VAC, 400 Hz
Current (Resistive)	50 Amps
Auxiliary Contacts:	
Configuration	2 PDT
Voltage (Nominal)	28 VDC or 115 VAC, 400 Hz
Current	
Resistive	10 Amps
Inductive	8 Amps
Lamp	6 Amps
Coil Data:	
Duty Cycle	Continuous
Voltage (Nominal)	28 VDC
Pick-Up Voltage	18 VDC Maximum
Drop-Out Voltage	2 - 7 VAC
Coil Current @ 28 VDC & +25°C	280 Milliamperes Maximum
Operating Temperature	-62°C to +102°C
Life:	
Electrical	50,000 Cycles
Mechanical	100,000 Cycles
Weight	1 Lb 4 Oz..

For factory-direct application assistance, contact the HARTMAN product team at (419) 521-9500, Fax (419) 526-2749.

© 2004 by Tyco Electronics Corporation. All Rights Reserved. HARTMAN and TYCO are trademarks.